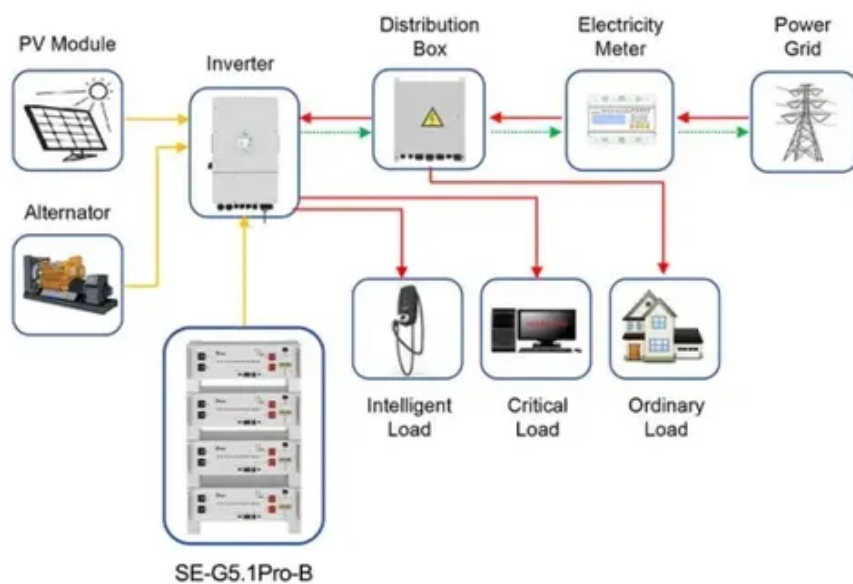




120kw photovoltaic integrated energy storage cabinet for port use



Application scenarios of energy storage battery products





120kw photovoltaic integrated energy storage cabinet for port use

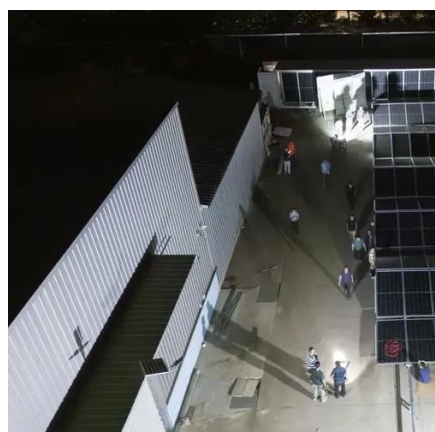


[Liquid-cooled Energy Storage Cabinet-Commercial & Industrial ...](#)

Liquid-cooled Energy Storage Cabinet
125kW/260kWh ALL-in-one Cabinet LFP
3.2V/314Ah 120kW/240kWh ALL-in-one Cabinet

[One-Stop Energy Storage Solution Provider](#)

Wenergy is a global energy storage provider with vertically integrated capabilities--from core materials to advanced energy storage systems. ...



[JGNE 120KW 233 Small Energy Storage Cabinet](#)

The JGNE 120KW 233 Small Energy Storage Cabinet is a compact and efficient energy storage solution designed for various commercial, industrial, and residential applications.

[120KW/225KW Battery Energy Storage Systems](#)

This system provides a 120kW sustained power output and a battery capacity of up to 225kWh, easily meeting the demands of most high-load applications like factories, commercial ...



LIQUID COOLING ENERGY STORAGE SYSTEM

EMS real-time monitoring
No container design
flexible site layout



Cycle Life
≥8000

Nominal Energy
200kwh

IP Grade
IP55

[SNADI Integrated PV Energy Storage Cabinet](#)

Integrated BMS/PCS/EMS supports diverse applications. DC coupling, full fault protection, low battery cycling, auto current sharing, and fast delivery with reliable testing.

[Solar Photovoltaic System Cost Benchmarks . Department of Energy](#)

The U.S. Department of Energy's solar office and its national laboratory partners analyze cost data for U.S. solar photovoltaic systems to develop cost benchmarks to measure progress ...



[JApower IP55 PV Storage Cabinet All in One Machine Solar System 120KW](#)

JApower IP55 PV Storage Cabinet All in One Machine Solar System 120KW 232KWH Lithium Ion Battery Solar Power Energy Storage



LFP 48V 100Ah

[125kW Liquid-Cooled Solar Energy Storage ...](#)



Its advanced control modes provide flexible energy management, enabling seamless integration with wind power, photovoltaic systems, and other ...



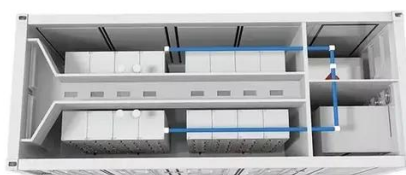
[100kWh Solar 280Ah LiFePO4 Battery, Air-cooling Energy Storage Cabinet](#)

GSL-100 (DC50) (215kWh) (EV120) 100kWh Solar Battery Storage Cabinet 280Ah LiFePO4 Battery Air-cooling ...



[Guinea-Bissau 120kw photovoltaic energy storage inverter](#)

Guinea-Bissau Compressed Air Energy Storage Power Station Ideal for mobile energy demands and emergency scenarios, these compact solar power stations integrate photovoltaic modules, ...



[Solar Power Station for EV Charging with 172KWh Battery Energy Storage](#)

The integrated photovoltaic storage and charging cabinet is a car charging product with high integration, integrated photovoltaic storage and charging, intelligent power distribution, ...



[All In One PV ESS 120kW 241kWh Solar Energy Storage System ...](#)



As a global leading new energy enterprise, with over 20 years of experience in PV systems, VoltaNest Group provides high-quality energy storage products for residential, commercial, ...



[120KWH commercial energy storage system_Lithium Battery Storage ...](#)

A: after our engineers have custom-made the machine appropriate for you, We will ship the goods to the destination port by sea. We will aid in the complete process, entire the transportation ...



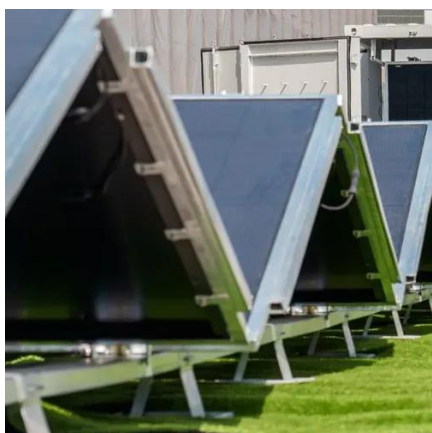
[768V 280Ah Titan-215kWh+120kW High Voltage Integrated ...](#)

Flexible and applicable to various off grid businesses such as photovoltaics, energy storage, charging piles, and integrated photovoltaic storage and charging. Based on a large amount of ...



[215kWh +120kW High Voltage Integrated Energy Storage Cabinet](#)

Featuring 215kWh of LiFePO4 storage and a 120kW PCS, this system is engineered for industrial parks and commercial complexes that require high-power energy management.



[Good quality 120kW 120kVA Solar Battery Energy Storage ...](#)



We have seen an immediate reduction in our energy bills and a change in our power consumption patterns since we installed the PVMARS off-grid solar power system.



**200kWh
Battery Cluster**

[Energy Storage System Basis: What Are Energy Storage Cabinet?](#)

An energy storage cabinet is a device that stores electrical energy and usually consists of a battery pack, a converter PCS, a control chip, and other components. It can store electrical ...

[JApower IP55 PV Storage Cabinet All in One Machine Solar ...](#)

JApower IP55 PV Storage Cabinet All in One Machine Solar System 120KW 232KWH Lithium Ion Battery Solar Power Energy Storage



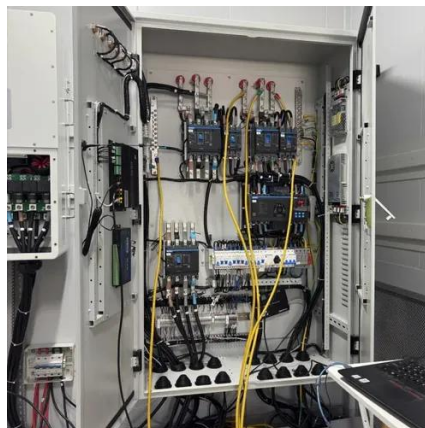
[120KWH commercial energy storage ...](#)

[ESS Solar Energy Storage Battery Cabinet 215kwh 430kwh 1MWh All In One](#)

Namkoo NKB Series 215kwh commercial & industrial energy storage system adopts the all in one design concept. The ...



A: after our engineers have custom-made the machine appropriate for you, We will ship the goods to the destination port by sea. We will aid in the ...



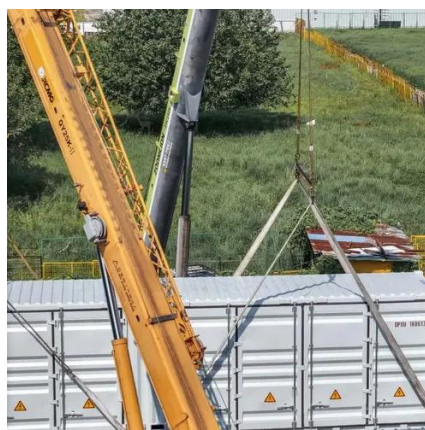
[Solar storage and charging integrated cabinet 172KWh+120KW](#)

Solar storage and charging integrated cabinet 172KWh+120KW-All-In-One with PV, Charger and Energy storage system DC coupling and AC coupling-SHENZHEN iYPOWER CO., LTD.



[JGNE 120KW 233 Small Energy Storage Cabinet](#)

The JGNE 120KW 233 Small Energy Storage Cabinet is a compact and efficient energy storage solution designed for various commercial, ...



[Good quality 120kW 120kVA Solar Battery Energy ...](#)

We have seen an immediate reduction in our energy bills and a change in our power consumption patterns since we installed the PVMARS off-grid ...



[Solar Photovoltaic: SPECIFICATION, CHECKLIST AND GUIDE](#)



It is assumed that aluminum framed photovoltaic (PV) panels mounted on a "post" and rail mounting system, the most common in the industry today, will be installed by the homeowner. ...



[EGS Smart Energy Storage Cabinet](#)

As the world moves towards decarbonization, innovative energy storage solutions have become critical to meet our energy demands sustainably. AnyGap, established in 2015, is a leading ...



[Energy Storage System Basis: What Are Energy ...](#)

An energy storage cabinet is a device that stores electrical energy and usually consists of a battery pack, a converter PCS, a control chip, and ...



[215kWh +120kW High Voltage Integrated Energy Storage Cabinet](#)

This is a powerhouse of integrated energy technology, providing a complete energy storage and power conversion station in a single cabinet. Featuring 215kWh of LiFePO4 storage and a ...



[Integrated Energy Storage Cabinet](#)



The SafeCubeA100A50PT Integrated Energy Storage Cabinet is equipped with 3.2V/100Ah lithium iron phosphate batteries, supporting a maximum ...



[417kWh Solar Power Station for EV Charging with Battery Energy Storage](#)

The integrated photovoltaic storage and charging cabinet is a car charging product with high integration, integrated photovoltaic storage and charging, intelligent power distribution, ...



2MW / 5MWh
Customizable

[15kW / 35kWh Hybrid Solar System Integrated Energy Storage Cabinet](#)

This fully integrated energy storage system features a comprehensive all-in-one design, incorporating essential switches for battery fuses, photovoltaic input, utility grid, load output, ...





Contact Us

For inquiries, pricing, or partnerships:

<https://www.zawojcsolina.pl>

Phone: +48 22 173 6647

Email: info@zawojcsolina.pl

Scan QR code for WhatsApp.

