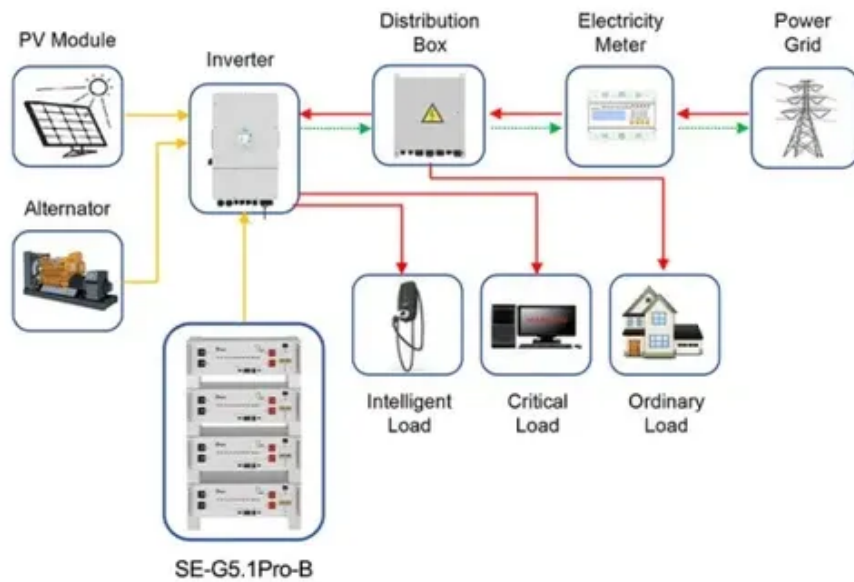




Automated guided vehicle solar battery cabinet lithium battery pack manufacturers



Application scenarios of energy storage battery products





Overview

What are automated guided vehicles (AGVs)?

Automated Guided Vehicles (AGVs) are used in a variety of industries, including manufacturing, warehousing, and logistics, to transport materials and products safely and efficiently. Our lithium-ion battery systems for AGVs are designed to provide reliable, long-lasting power that can support the demanding requirements of these applications.

What is a lithium-ion battery system for AGV?

Our lithium-ion battery systems for AGVs are designed to provide reliable, long-lasting power that can support the demanding requirements of these applications. Our AGV battery systems are engineered to be lightweight, compact, and highly durable, making them ideal for use in a variety of environments.

What type of battery does an AGV use?

Early-generation AGVs were powered by lead batteries only. Today we can offer a complete range of different battery types that suite your AGV application. Depending on your systems required utilization time (24/7, 1-3 shift or daytime), today you choose between three different battery types, lead acid batteries, lithium batteries, or NiCd batteries.

Are lithium-ion batteries good for AGV & AMR applications?

There are many benefits to using lithium-ion battery systems for AGV and AMR applications. Compared to traditional lead-acid batteries, lithium-ion batteries offer higher energy density, longer cycle life, and faster charging times. They are also more compact and lightweight, making them easier to integrate into a variety of systems.



Automated guided vehicle solar battery cabinet lithium battery pack



[AGV Battery 24V/48V LiFePO4 Packs Manufacturer .SAFTEC](#)

An AGV battery is a traction battery that powers automated guided vehicles and autonomous mobile robots. It usually includes a LiFePO4 cell pack, battery management system, ...

[AGV/AMR . Blue Line Battery](#)

Blue Line Battery designs and manufactures custom lithium-ion battery solutions specifically engineered for Automated Guided Vehicles (AGVs) and Autonomous Mobile Robots (AMRs).



[13 Largest Battery Manufacturers In The World \[2026\]](#)

We present the largest, most influential battery manufacturers, exploring their market positions & strategies that have enabled them to ...



[Automated Guided Vehicle \(AGV\) Lithium Batteries](#)

Our automated guided vehicle lithium batteries are built on LiFePO4 chemistry, deliver fast opportunity charging, multi-thousand cycle life, and smart BMS with CAN/RS485/RS232--so ...



[LiFePO4 Battery for Agv/Automated Guided Vehicle Lithium Battery ...](#)

Functional features 1. The professional customization of various fields of the lithium battery pack 2. Support fast charging, sustainable 1C current charging 3. The use of power - type high - rate ...

[AGV Battery , Automated Guided Vehicle Battery](#)

Most automated guided vehicles are battery powered today. ? Learn more about AGV battery charging systems & the benefits of them ? Welcome!



[19 Battery Pack Manufacturers in 2025](#)

This section provides an overview for battery packs as well as their applications and principles. Also, please take a look at the list of 19 ...



[Lithium-ion Battery Pack For Automated Guided ...](#)



Lithium Ion Battery Pack For AGV Automated Guided Vehicles And ARM Autonomous Mobile Robot Warehouse managers across all industries

...



[TYCORUN Automated Guided Vehicles Battery ...](#)

As a leading automated guided vehicles battery manufacturer, TYCORUN specializes in designing high-performance, highly secure, and long-lasting

...



[AGV Manufacturers , AGV Suppliers , Automatic ...](#)

Quickly locate the leading AGV manufacturers and suppliers who produce top-of-the-line products made from premium materials for competitive prices.



[AGV Battery , Automated Guided Vehicle Battery](#)

Today we can offer a complete range of different battery types that suite your AGV application. Depending on your systems required utilization time ...



[Battery Pack Assembly Machine , Battery Pack Manufacturers , Battery](#)



Tmax is the most professional battery pack manufacturers, we offer high quality battery pack assembly machine and battery assembly machine for battery research and manufacturing.



[Automated Guided Vehicles](#)

Trusted OEM quality, tested and certified to the highest safety and performance standards, the Lithium PROFESSIONAL Series is purpose-built to replace standard BCI 6V, 8V, and 12V ...

[Automated Guided Vehicles](#)

Trusted OEM quality, tested and certified to the highest safety and performance standards, the Lithium PROFESSIONAL Series is purpose ...



[Automated Guided Vehicle Battery](#)

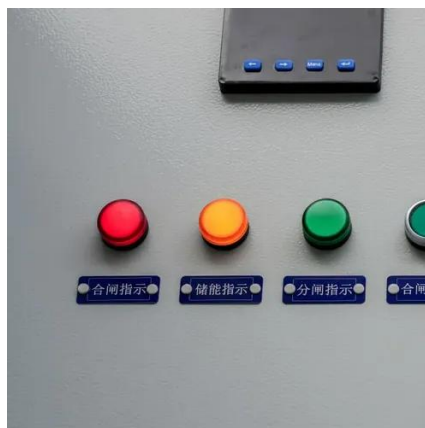
RICHYE is a leading lithium battery manufacturer specializing in Automated Guided Vehicle battery. We offer a range of models, including 24V, 36V, and 48V, with custom solutions ...



[China hot sale automated guided vehicle battery Manufacturers ...](#)



Strengthened quality management and sales network all over the country can solve problems for our customers. We are proud to be a leading supplier of hot sale automated guided vehicle ...



[AGV & AMR Lithium-ion Batteries Manufacturer](#)

If you're looking for high-quality lithium-ion battery systems for your AGV or AMR applications, look no further than EMBS. ...



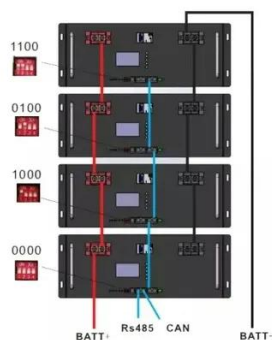
[19 Battery Pack Manufacturers in 2025](#)

This section provides an overview for battery packs as well as their applications and principles. Also, please take a look at the list of 19 battery pack manufacturers and their company rankings.



[AGV Battery Solutions Manufacturer . Custom Lithium-ion Packs ...](#)

Our industry-leading lithium battery solutions for Automated Guided Vehicles (AGVs) are widely applied in smart logistics, warehousing, manufacturing automation, e-commerce distribution, ...



[Automated Guided Vehicle Battery](#)



RICHYE is a leading lithium battery manufacturer specializing in Automated Guided Vehicle battery. We offer a range of models, including 24V, 36V, ...



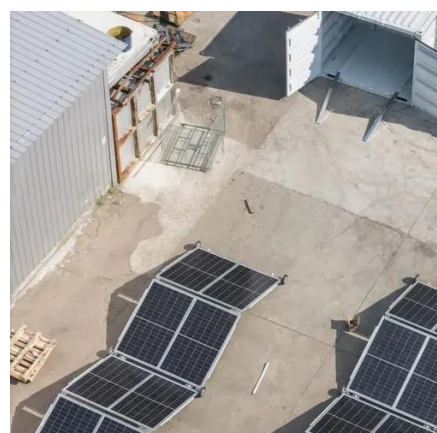
[AGV Battery Solutions Manufacturer , Custom ...](#)

Our industry-leading lithium battery solutions for Automated Guided Vehicles (AGVs) are widely applied in smart logistics, warehousing, manufacturing ...



[AGV Battery , Automated Guided Vehicle Battery , AGVE®](#)

Today we can offer a complete range of different battery types that suite your AGV application. Depending on your systems required utilization time (24/7,1-3 shift or daytime), today you ...



[China automated guided vehicle batteries for agv Manufacturers](#)

ZLION is one of the most professional automated guided vehicle battery manufacturers and suppliers in China. We warmly welcome you to wholesale high quality automated guided ...

[Top 15 Lithium-ion Battery Manufacturers: A Global Review \(2025\)](#)



Discover the top 15 lithium-ion battery manufacturers for 2025 in our global guide. We compare the ...

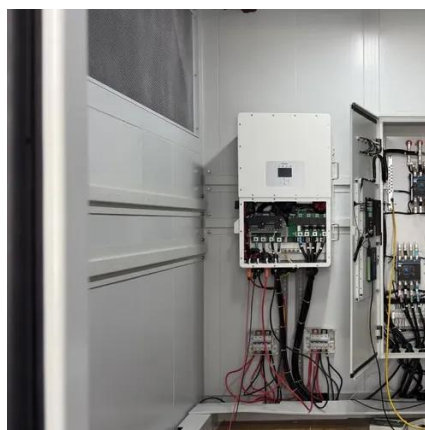


[Automated Guided Vehicle Battery for Lithium Ion Battery ...](#)

Built with advanced lithium-ion technology, these batteries provide dependable power tailored to meet the rigorous demands of Automated Guided Vehicles (AGVs). With customizable options ...

[Fast Charging 200Ah Lithium Battery Pack For Automated Guided Vehicle ...](#)

China Fast Charging 200Ah Lithium Battery Pack For Automated Guided Vehicle Robot, Find details about China AGV Battery from Fast Charging 200Ah Lithium Battery Pack For ...



[TYCORUN Automated Guided Vehicles Battery Manufacturer ...](#)

As a leading automated guided vehicles battery manufacturer, TYCORUN specializes in designing high-performance, highly secure, and long-lasting batteries. Our solutions provide ...



51.2V 150AH, 7.68KWH

[AGV & AMR Lithium-ion Batteries Manufacturer](#)



If you're looking for high-quality lithium-ion battery systems for your AGV or AMR applications, look no further than EMBS. With our advanced battery solutions and deep industry expertise, ...





Contact Us

For inquiries, pricing, or partnerships:

<https://www.zawojcsolina.pl>

Phone: +48 22 173 6647

Email: info@zawojcsolina.pl

Scan QR code for WhatsApp.

