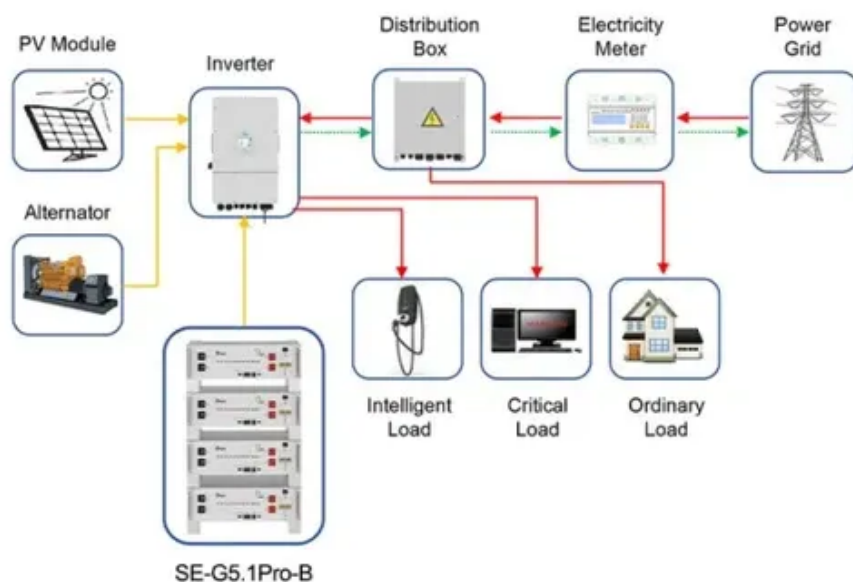




# Lima solar-powered communication cabinet ems hybrid power supply



Application scenarios of energy storage battery products





## Lima solar-powered communication cabinet ems hybrid power supply



### [Outdoor Photovoltaic Energy Cabinet, Base Station Energy ...](#)

An Outdoor Photovoltaic Energy Cabinet is a fully integrated, weatherproof power solution combining solar generation, lithium battery storage, inverter, and EMS in a single cabinet. It ...

### [PowerTrack EMS Solution](#)

Stem's PowerTrack EMS solution integrates a modular hardware and software architecture to create a comprehensive energy management system. The implementation utilizes industry ...



### [SmartGen HMU8N-EMS Hybrid Energy Control ...](#)

HMU8N-EMS Hybrid Energy Control System is used for hybrid energy system. It consists of solar energy, wind energy, energy storage battery, ...

### [Huawei ICC500-HA1H-C5 Hybrid Power Supply Photovoltaic Solar ...](#)

Huawei ICC500-HA1H-C5 Hybrid Power Supply Photovoltaic Solar Outdoor Communication Integrated Cabinet from Chinese supplier, Shandong Luyuan Communication Equipment Co., ...



### [Enhancing Energy Management with Advanced EMS in Hybrid ...](#)

In the event of a power outage, an EMS with black start capabilities can restart the system independently, providing critical support during emergencies. Additionally, redundancy ...



### [Smart Hybrid Power Cabinet for Reliable ...](#)

Our intelligent hybrid energy switching power cabinet is a cutting-edge hybrid power supply solution designed to address complex ...



### [Base Station Solar Storage Integrated System Solution](#)

The Telecom Base Station Intelligent Grid-PV Hybrid Power Supply System helps telecom operators to achieve



### [LIMA ENERGY STORAGE CABINET BATTERY PRICE LIST](#)



New Energy Retrofit Battery Cabinet What is a home battery energy storage system? Home battery energy storage systems can convert solar energy into electricity, ensuring that ...



### [Power cabinet for hybrid power system for ...](#)

Power cabinets in hybrid systems ensure reliable energy flow, protect telecom equipment, and optimize renewable energy use for cost ...



### [Solar Module Adaptation for Shared Telecom Cabinets: Power ...](#)

Solar Module adaptation for shared telecom cabinets under multi-operator loads proves both feasible and effective. Power sharing and supply optimization remain critical as ...



### [Solar Modules + Energy Storage: Power Supply Assurance for ...](#)

Solar Module systems with energy storage deliver reliable, uninterrupted power for off-grid telecom cabinets, ensuring network uptime and resilience.



### [Pole-Type Base Station Cabinet , Efficient Energy Solutions for](#)



It integrates the photovoltaic, wind energy, rectifier modules, and lithium batteries for a stable power supply, backup power, and optical network access in one enclosure. This versatile ...



### [SmartGen HMU8N-EMS Hybrid Energy Control ...](#)

SmartGen HMU8N-EMS Hybrid Energy Control System. EMS.Product Overview: HMU8N-EMS Hybrid Energy Control System is used for hybrid ...

### [The power system for an outdoor hybrid power ...](#)

The cabinet ensures a continuous and reliable energy supply by integrating multiple power sources like solar, wind, and grid power. It ...



### [There are several types of EMS energy storage cabinets for](#)

In the design of energy storage cabinets, STS is usually used in the following scenarios: Power switching: When the power grid loses power or fails, quickly switch to the energy storage ...

### [SmartGen HMU15N-EMS Hybrid Energy Control System](#)



SmartGen HMU15N-EMS Hybrid Energy Control System. EMS. Product Overview: HMU15N-EMS Hybrid Energy Control System is used for hybrid energy system consists of solar energy, wind ...

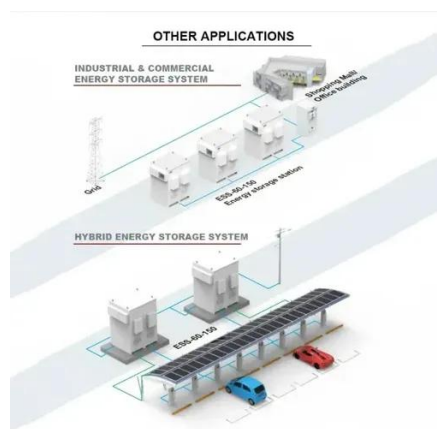


### [SmartGen HMU8N-EMS Hybrid Energy Control System](#)

HMU8N-EMS Hybrid Energy Control System is used for hybrid energy system consists of solar energy, wind energy, energy storage battery, hydrogen fuel cell, mains supply and diesel genset.

### [Telecom Cabinet Communication Power + PV + Storage: Key ...](#)

Combining solar power, energy storage, and communication power in telecom cabinets boosts reliability and cuts energy costs. Proper sizing of solar panels and batteries ...



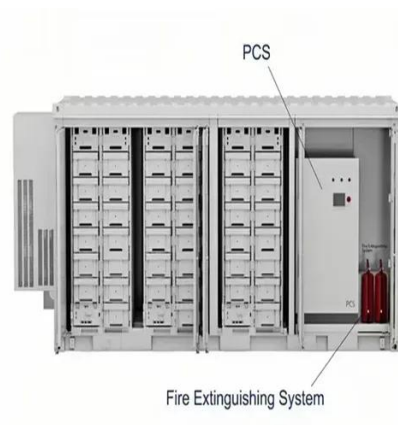
### [ZUMA Pictures Of The Day: News, Sports, Celeb images and more](#)

Photographers photo site - Amazing Images From Around the World

### [Indoor Photovoltaic Telecom Energy Cabinet](#)



They transform solar-sourced DC into AC and store unused energy in high-performance battery packs, providing clean, renewable backup energy to mission-critical telecom equipment.



### Hybrid power solutions

Smart, renewable hybrid power solutions technologies integrate multiple energy sources, such as solar, wind, and battery storage, to provide ...



### The power system for an outdoor hybrid power supply cabinet

The cabinet ensures a continuous and reliable energy supply by integrating multiple power sources like solar, wind, and grid power. It supports critical applications in ...



### Wiring Method For EMS Network Cable Interface

The document outlines the components and external interfaces of an Energy Management System (EMS). It details the functions of various items such ...

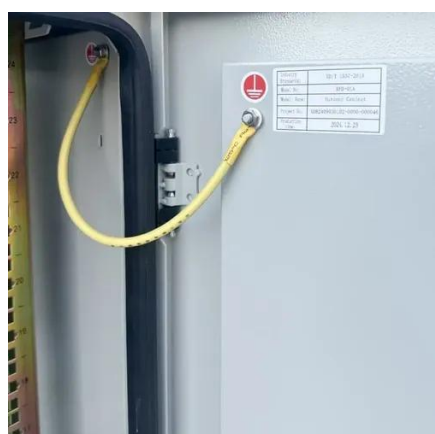


1075KWHH ESS

## HYBRID POWER



Hybrid power covers any given load demand by combining two or more different power sources. Examples include mains power with genset backup, a wind farm with energy storage, or a ...



### [Smart Hybrid Power Cabinet for Reliable Communication](#)

Our intelligent hybrid energy switching power cabinet is a cutting-edge hybrid power supply solution designed to address complex and diverse power supply environments, ...

### [For Telecom Applications Hybrid](#)

Functioning as a master system that collects and stores power-energy data, Vertiv EMS can provide you with the KPIs suited best for your business and assist you in improving the ...



### [Power cabinet for hybrid power system for telecommunication site](#)

Power cabinets in hybrid systems ensure reliable energy flow, protect telecom equipment, and optimize renewable energy use for cost and eco benefits.





## Contact Us

---

For inquiries, pricing, or partnerships:

<https://www.zawojesolina.pl>

Phone: +48 22 173 6647

Email: [info@zawojesolina.pl](mailto:info@zawojesolina.pl)

Scan QR code for WhatsApp.

