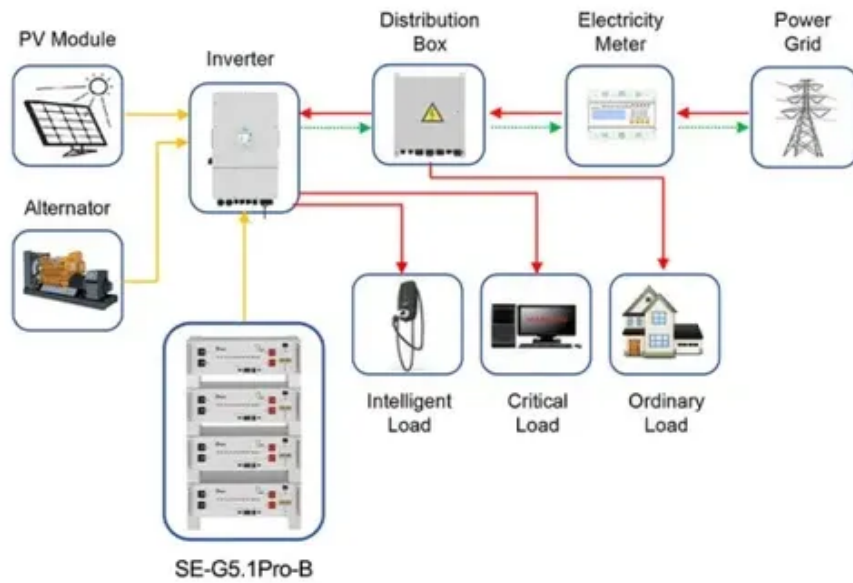




# Solar street lights with higher wattage



Application scenarios of energy storage battery products





## Overview

---

One of the most common misconceptions about solar street lights is that higher wattage equals better performance. While wattage indicates the energy consumption of the LED fixture, it doesn't directly correlate to brightness or overall efficiency.

One of the most common misconceptions about solar street lights is that higher wattage equals better performance. While wattage indicates the energy consumption of the LED fixture, it doesn't directly correlate to brightness or overall efficiency.

To choose the best solar street light, consider lumens per watt efficiency, battery capacity, solar panel quality, and installation environment. High-lumen LED chips, monocrystalline solar panels, MPPT charge controllers, and durable materials ensure long-lasting performance. Match brightness.

The ideal solar streetlight power depends on location, lighting goals, and overall budget. It is best to balance needed brightness with feasible panel and battery capacity. I want to show how I decide on suitable wattage for different projects. I will explain common installation heights, brightness.

Solar street lights have become a cornerstone of sustainable public infrastructure, offering an eco-friendly solution to outdoor lighting needs. Cities and communities increasingly rely on these systems to reduce energy consumption, lower carbon footprints, and provide reliable illumination in.

Highly Bright Solar Outdoor Lights: Solar street light uses imported 2931 high-efficiency, high-brightness SMD lamp beads. After high-brightness upgrades, brightness is increased by 80% and coverage is expanded by 50%. 3 Modes and Intelligent Control: Our outdoor solar light is equipped with a.

Selecting the correct LED wattage for solar street lights is crucial for optimal performance, brightness, and energy efficiency. Quenenglighting provides expert guidance to help you choose the perfect wattage, ensuring reliable, long-lasting illumination tailored to your specific project needs.

Solar street lights, powered by the sun's endless generosity, must strike this



balance to illuminate driveways, sidewalks, and cul-de-sacs effectively. The key metric here is lumens —the measure of visible light emitted by a source. Unlike wattage, which tracks energy use, lumens quantify.



## Solar street lights with higher wattage

114KWh ESS



### Solar Street Lights

Greenshine solar street lights and roadway lighting systems combine the best commercially-available solar panels and the brightest LED light ...

### [Solar Lighting Efficiency: Understanding Wattage](#)

...

Learn how wattage and lumens impact solar lighting efficiency and discover how to select the best solution for your municipality or ...



### [Solar Street Light Power Explained: Beyond the Wattage Claims](#)

One of the most common misconceptions about solar street lights is that higher wattage equals better performance. While wattage indicates the energy consumption of the ...

### [Sunwish 8000W Solar Street Lights Outdoor](#)

Sunwish 8000W Solar Street Lights Outdoor - LED 6500K Solar Lights Outdoor Dusk to Dawn, High Brightness Solar Parking Lot Lights Commercial, IP66 Waterproof Street ...



### [Solar Street Light Power Explained: Beyond the Wattage Claims](#)

Discover how to evaluate solar street light power beyond wattage claims. Learn about lumens, efficiency, smart controls, and tips for choosing the right system.



### [Amazon : High Power Solar Lights Outdoor](#)

Amazon : high power solar lights outdoor  
Ofuray Solar Flood Lights Outdoor,5AH High Power Solar Street Security Parking Lot Lights Dusk to Dawn with Motion Sensor 5 Modes,7000k ...



### [How many watts are suitable for solar street lights?](#)

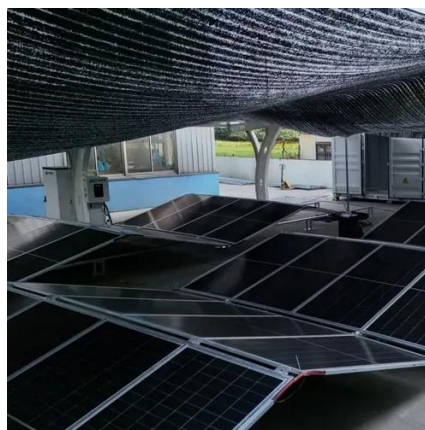
The advantages of adopting solar street lights over traditional lighting systems are numerous. First, solar street lights rely on renewable ...



### [7 Best Solar Street Lights for Bright Outdoor Lighting in 2025](#)



To save you hours of searching, we've researched, tested, and compared the 7 best solar powered street lights available in 2025. Each product on our list has been carefully evaluated ...

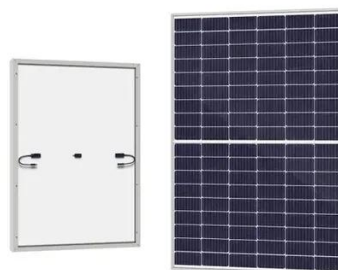


### [7 Mistakes To Avoid When Buying Solar Lights](#)

The suppliers need to get orders from the customers while they also need enough profits. However, the end customers mostly will find problems with the solar street lights they ...

### [What is the maximum watt of solar street light?](#)

1. The maximum wattage of solar street lights varies significantly based on various factors, including design, application, and ...



### [How many watts are suitable for solar street lights?](#)

The advantages of adopting solar street lights over traditional lighting systems are numerous. First, solar street lights rely on renewable energy --the sun--significantly reducing ...

### [How to Select the Best Wattage for Solar Street Lights?](#)



Blog How to Select the Best Wattage for Solar Street Lights? I see many people confused about solar streetlight wattage. They want bright lights, but they also worry about cost. I ...



### [11 Best Solar Street Lights \(2025 Reviewed & Updated\)](#)

Curious what are the best solar street lights with pole? We've handpicked them all based on pricing, brightness, backup, maintenance, & more.



### [Choosing the Right Wattage for Street Lighting](#)

Selecting the correct wattage for street lighting is crucial for efficiency, safety, and cost-effectiveness. Using the wrong wattage can ...



### [9W vs 80W Solar Street Lights: Choosing the Right Wattage for ...](#)

This blog aims to guide you in deciding between low-wattage (like 9W) and high-wattage (like 80W) solar street lights, helping you find the perfect balance between efficiency, coverage, ...



### [How many watts is good for solar street lights . NenPower](#)



The wattage of street lights must align with the capacity of solar panels to ensure that sufficient energy is collected during daylight hours. Higher wattage street lights will ...

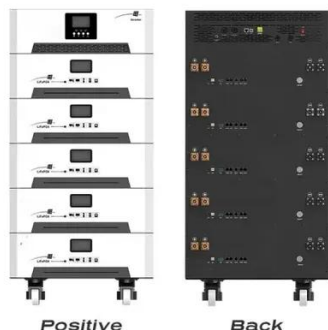


### What lumen is good for residential solar street lights?

In solar street lights, LED technology reigns supreme, offering high lumens per watt (typically 100-200 lm/W), making them efficient and bright.

### How to Choose Solar LED Street Light: The ...

The wattage of a commercial solar street lights depends on lumen output, pole height, and application type. Higher poles and wider ...



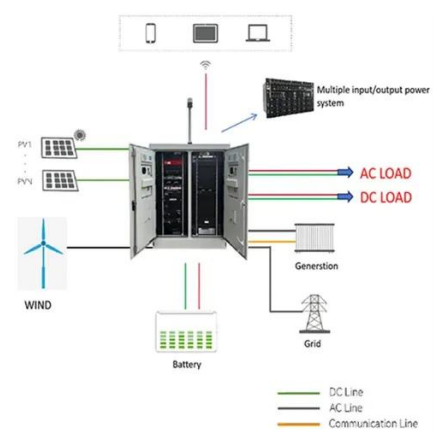
### 120w High Wattage Solar Street Light

The SONE 120 High Wattage Solar Street Light is a multipurpose solar-powered street light designed for many applications. High Wattage Solar Power: This high-powered fixture runs ...

### Sunwish 8000W Solar Street Lights Outdoor



Highly Bright Solar Outdoor Lights: Solar street light uses imported 2931 high-efficiency, high-brightness SMD lamp beads. After ...



### [How Much Power Does a Solar Street Light Use? \(Watts, Energy, ...\)](#)

Higher wattage means brighter light -- but also more demand on your battery and solar panel. A 20-watt system might be perfect for a neighborhood street, while a 70-watt ...

### [How to Select the Best Wattage for Solar Street Lights?](#)

The ideal solar streetlight power depends on location, lighting goals, and overall budget. It is best to balance needed brightness with feasible panel and battery capacity.



### [32000LM Solar Street Lights Outdoor, 3200W Solar Lights for ...](#)

?Two-side Wide Angle Lighting? Compared with the ordinary single-side solar street light, our led solar street light outdoor is upgraded to 180° two-side wide angle lighting with more ...



### [Guidelines For Buying Various Wattages Solar Led ...](#)



Thinking of purchasing various wattage solar led street lights for your project? This post is the ultimate guide on various wattage solar led street lights.



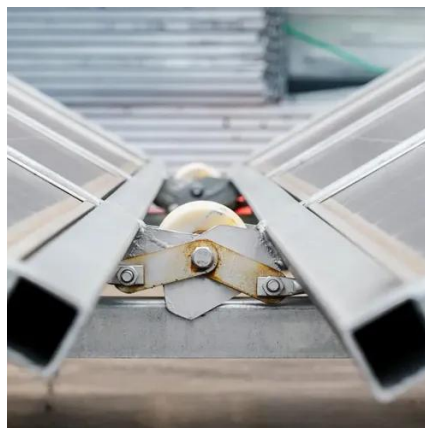
- ✓ LIQUID/AIR COOLING
- ✓ ON GRID/HYBRID
- ✓ PROTECTION IP54/IP55
- ✓ BATTERY /6000 CYCLES

### [Good Solar Light Wattage: Best Power for Outdoor ...](#)

Wondering what wattage makes a good solar light? Discover the ideal power range for bright, efficient lighting in any outdoor space.

### [Wattage vs. Lumens: Which is more important?](#)

Solar lights are usually installed at a low height and can be used with small wattage, and high luminous efficacy street lamp heads. For more ...



- ✓ LIQUID/AIR COOLING
- ✓ ON GRID/HYBRID
- ✓ PROTECTION IP54/IP55
- ✓ BATTERY /6000 CYCLES

### [Solar Street Lights: Is Higher Wattage Equivalent To Stronger ...](#)

In the parameters of solar street lights, "wattage" usually refers to the power of the light source (measured in watts, W). From a physical definition, wattage itself is a quantitative ...



## Contact Us

---

For inquiries, pricing, or partnerships:

<https://www.zawojcsolina.pl>

Phone: +48 22 173 6647

Email: [info@zawojcsolina.pl](mailto:info@zawojcsolina.pl)

Scan QR code for WhatsApp.

